



The market leading Menvier Kwiklite is stylish, affordable & now available in both fluorescent & LED technology.

Originally designed with both appearance and cost saving in mind, the Menvier Kwiklite satisfies the architects design objective as well as the developers cost constraint in today's tough economic times.

The Menvier LED dual mode maintained / non maintained Kwiklite retains all of the popular features that made the Kwiklite a clear market leader:

- Clean attractive design
- Excellent light distribution
- The snap on, snap off, diffuser/back plate allows for quick conversion from single to double sided exit signage.
- Choice of 'EXIT' or Pictograph legends with all diffuser configurations on hand in the one box for ease of installation.
- The universal design of the Kwiklite ensures ease of installation on any surface.

In applications where the Kwiklite is illuminated for significant amounts of time, the use of LED technology offers massive maintenance benefits with the LED strip offering a service life of up to 50,000 hours.

The LED light strip is very easy to replace at the end of its life, replacement strips are available for same day dispatch.

**The Market Leading Kwiklite
is now available in 3W LED technology**

GENERAL INFORMATION

The Menvier KLM-LED series is both stylish & affordable for use in every day projects. The KLM-LED series is a one box solution LED exit, available with both EXIT and pictograph directional diffusers.

The universal design ensures ease of installation on any surface.

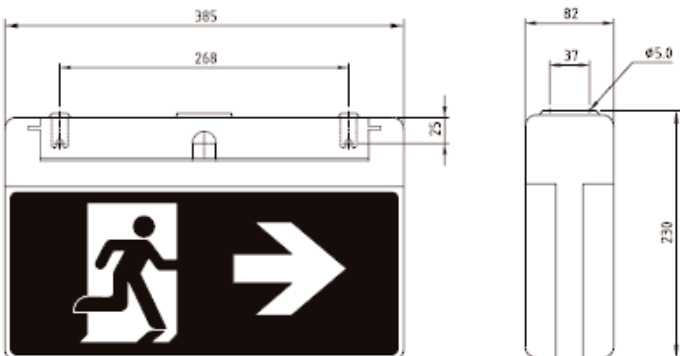
ORDERING CODES

- KLM-LED
c/w exit housing, 2 x directional 'EXIT' diffusers & backing plate.
- KLM-LED-P
c/w exit housing, 3 x pictogram directional diffusers & backing plate.

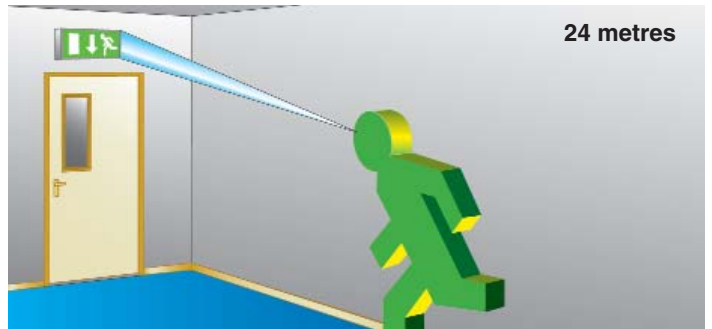
INSTALLATION NOTES

- Snap on, snap off diffuser / backing plate allows for quick and easy conversion from single to double sided exit signage.
- Housing features a separate base plate for ease of wiring. Once the base plate has been fixed and wired, the fitting is simply plugged in, saving valuable installation time and money.

DIMENSIONAL DATA



MAXIMUM VIEWING DISTANCE



TECHNICAL SPECIFICATION

System Models	KLM-LED, KLM-LED-P
Emergency Duration	2 Hours
Approval No	AS2293: 2005, Part 3 Pictogram Approval: LL12654 Thermal Approval: LL905102T
EMC Compliance	EMC CISPR15:2006 Approval: LL0907001E
Replacement LED	EPA606
Replacement Inverter	EPA605
Replacement Battery	BAT4SLSC
Re Charge Period	16 Hours
Charging Current	140mA high rate 40mA low rate
Operation Voltage	100V-240V 50Hz
Environment	IP20 (for indoor use only)

AS2293.2005

1 YEAR
GUARANTEE



IP20



Cooper Safety
205-209 Woodpark Road
Smithfield NSW 2131

Sales
T: (02) 8787 2777
F: (02) 9609 2342

General
T: (02) 8787 2700
F: (02) 9609 2342

New Zealand - Ellisco
T: (9) 570 5267
F: (9) 527 6183

Fiji - Midlink Marketing
T: 9791272753
F: 9791272753

COOPER Safety